



Cover 1:
Elara Natural

Cover 2:
Alaska Mono

Walnut Feet

Ren Collection

Extra Flex[®]
Soft, Supportive Seating

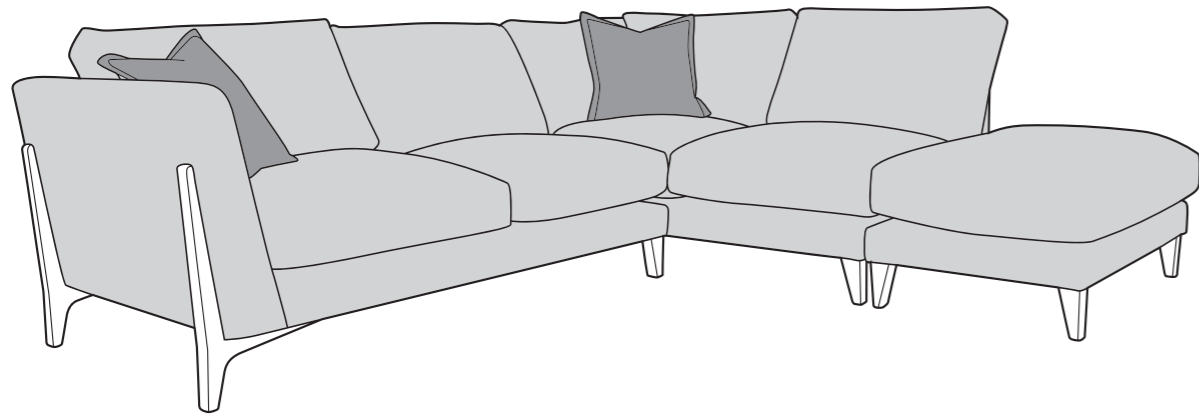
Colours represented are to be used as a guide only.
Please refer to manufacturers swatch for a more accurate colour match.

Please note that colour shadings can vary slightly from each roll of fabric.
We cannot guarantee a precise match to these samples or between cut lengths and upholstered goods.

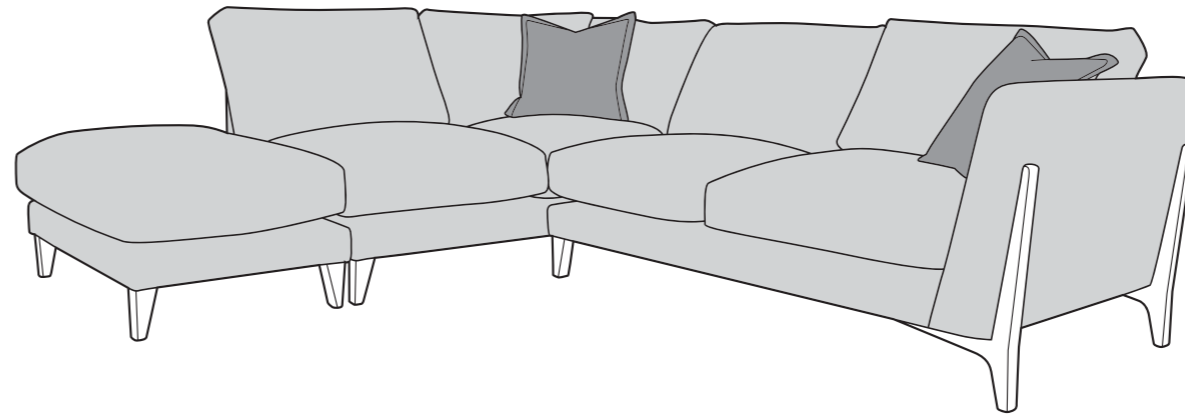
REN COVER GUIDE: STANDARD BACK ONLY

Please use this guide when ordering the following pieces to clarify cover options.

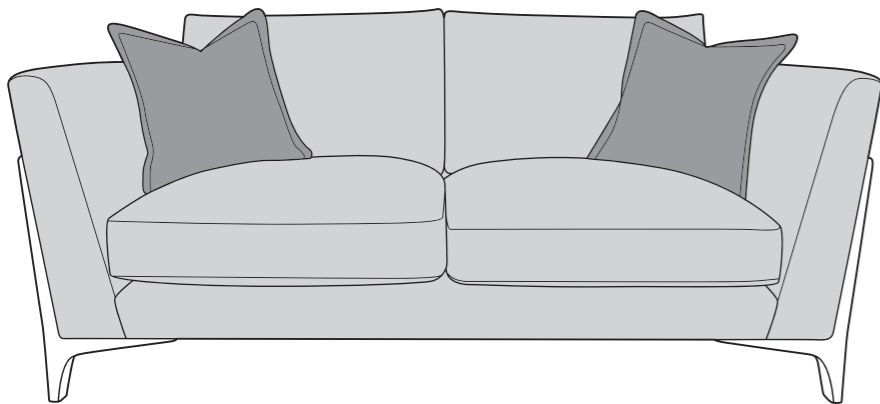
Corner Group: LH2, RFC, FST



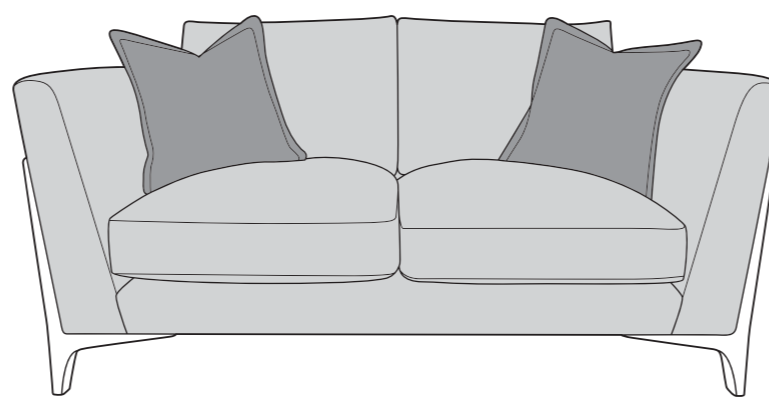
Corner Group: FST, LFC, RH2



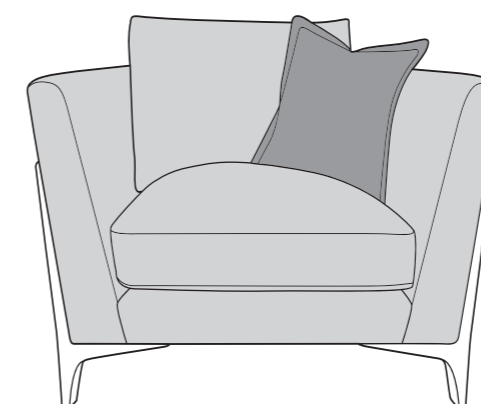
3 Seater Sofa (3ST)



2 Seater Sofa (2ST)



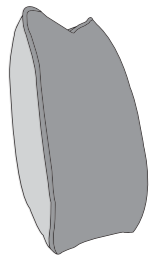
Arm Chair (1ST)



 **COVER 1**
(BODY)

 **COVER 2**
(SCATTER)

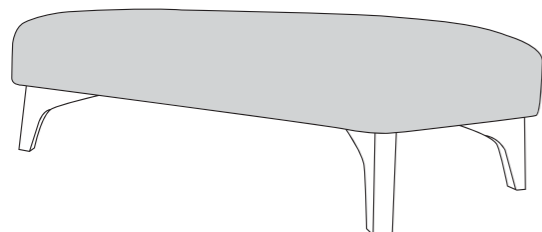
Scatter Cushions



Flanged Edge
Front = Cover 2
Back = Cover 1

SUGGESTED ACCENT PIECES

Ren Footstool (FST)




BFM
BRITISH FURNITURE
MANUFACTURERS
APPROVED MEMBER


A©ID
ANTI COPYING IN DESIGN

REN DIMENSIONS (CM)

AVAILABLE PIECES	HEIGHT 1	WIDTH 2	DEPTH 3	SEAT HEIGHT 4	SEAT DEPTH (STD) 5	SEAT WIDTH 6	ACCESS DIAGONAL 7	OUTBACK HEIGHT 8	ARM HEIGHT 9	WEIGHT (KG)	SCATTER CUSHIONS
LH2, RFC, FST or FST, LFC, RH2 CORNER GROUP	92	279	253	52	62	N/A	N/A	79	79	121.5	2 SCATTERS
LH2/RH2 UNIT	92	177	102	52	62	160	202	79	79	56	1 SCATTER
LFC/RFC UNIT	92	179	102	52	62	139	304	79	79	51	1 SCATTER
FOOTSTOOL (FST)	52	74	102	N/A	N/A	N/A	124	N/A	N/A	14.5	N/A
3 SEATER SOFA (3ST)	92	196	102	52	62	162	217	79	79	69.5	2 SCATTERS
2 SEATER SOFA (2ST)	92	172	102	52	62	139	198	79	79	58.5	2 SCATTERS
ARM CHAIR (1ST)	92	110	102	52	62	76	146	79	79	47.5	1 SCATTER
ACCENT PIECES											
REN FOOTSTOOL (FST)	30	102	62	N/A	N/A	N/A	117	N/A	N/A	15.5	N/A

* Hardwood & composite board frame.

* Dowelled, screwed, glued & stapled joinery.

* Black, Walnut, Mid Oak & Grey Ash Wood foot options.

* ExtraFlex high comfort seat cushions.

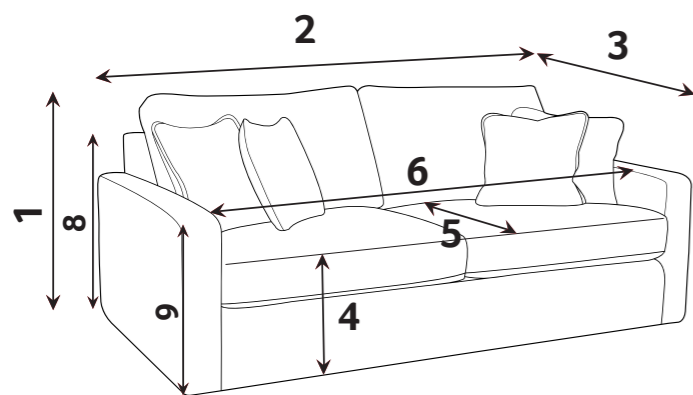
* Feather filled scatters included. 

* Fibre filled backs for added comfort.

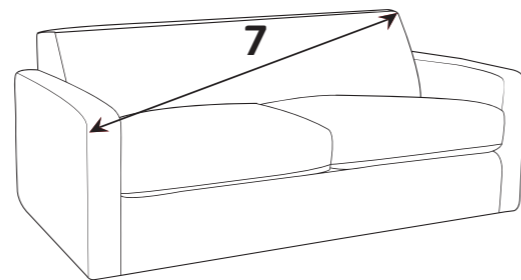
* Serpentine seat springs & silent wire.

* Elasticated back webbing

DIMENSION GUIDE



Check the diagonal access dimension to ensure furniture will fit in your home.



- 1 - HEIGHT
- 2 - WIDTH
- 3 - DEPTH
- 4 - SEAT HEIGHT
- 5 - SEAT DEPTH (STD & PILLOW)
- 6 - SEAT WIDTH
- 7 - DIAGONAL ACCESS
- 8 - OUTBACK HEIGHT
- 9 - ARM HEIGHT

Illustrations used for reference only.

Extra Flex®

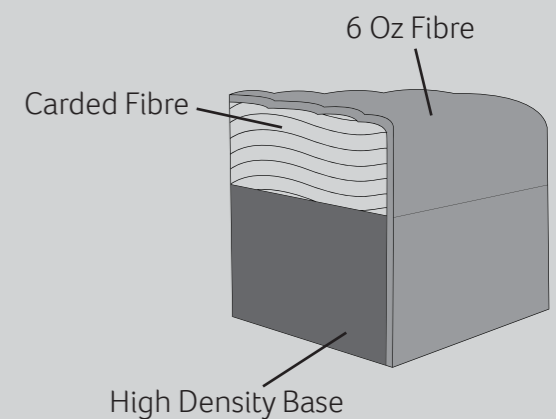
A high density foam base seat interior with a hand-rolled carded fibre, channelled topper which provides both softness and support.

CARE GUIDE

Extraflex seat cushions should be **plumped up on a regular basis** to help maintain the aesthetic appeal of your upholstery, the plumping of cushions is essential to help retain the comfort and softness of any piece of upholstered furniture.

To improve the longevity of your hand-made furniture, we recommend rotating cushions (where applicable).

For further information on maintaining your furniture please refer to the care guide located under the seat platform.



FOOT OPTIONS:

Black



Walnut



Mid Oak



Grey Ash



Please note : All dimension are approximate. Allow tolerance of +/- 2.5cm.

Wood is a natural product and will vary in shade/colour from item to item. Feet may require fitting.

11/01/2024